

OVERHEAD TEMPORARY SERVICE

GENERAL NOTES

- ① MEMBER TO FURNISH METER BASE. METER BASE TO BE SECURELY MOUNTED IN A LEVEL POSITION. DO NOT WIRE THRU BACK OF METER BASE. COOPERATIVE TO FURNISH AND INSTALL SERVICE DROP AND METER. ALL OTHER EQUIPMENT, INCLUDING GROUNDING FACILITIES TO BE FURNISHED AND INSTALLED BY MEMBER.
- ② ALUMINUM ELECTRICAL JOINT COMPOUND SHALL BE APPLIED TO ALL ALUMINUM CONDUCTORS BEFORE INSTALLING IN TERMINALS OF METER BASE.
- ③ THE FOLLOWING TABLE INDICATES THE MINIMUM "TEE" CROSS-SECTION OF SERVICE POST AND ASSOCIATED BRACE LENGTH REQUIRED FOR ANY SERVICE CONDUCTOR UP TO 4/0 ALUMINUM.

STRUCTURE	CROSS-SECTION	BRACE LENGTH
16' FOOT	S - 2"X4" T - 2"X6"	10' FOOT
20' FOOT	S - 2"X6" T - 2"X6"	12' FOOT

A TREATED WOOD POLE WITH A POLE TOP NOT LESS THAN 5" DIAMETER IS ACCEPTABLE AS A TEMPORARY SERVICE POLE. BRACE LEGS ARE STILL REQUIRED.

- ④ SERVICE ATTACHMENT SHALL BE AT LEAST AT A HEIGHT TO PERMIT A MINIMUM CLEARANCE FOR SERVICE DROP CONDUCTORS OF 17' FEET ABOVE RESIDENTIAL DRIVEWAYS AND AREAS ACCESSIBLE TO PEDESTRIANS 18' FEET ABOVE ALLEYS AND PUBLIC ROADS.
- ⑤ CONNECTION OF MEMBER CONDUCTORS TO SERVICE DROP SHALL BE THE RESPONSIBILITY OF COOPERATIVE.
- ⑥ THE DIMENSIONS A & B WILL VARY ACCORDING TO THE LENGTH OF BRACE USED.

LENGTH OF BRACE	DIMENSION A	DIMENSION B
10' FOOT	2'-4"	9'-0"
12' FOOT	3'-0"	10'-8"

- ⑦ SPLICES WILL BE ALLOWED IN THIS AREA OF THE SERVICE POST ONLY. SPLICING WILL BE A MINIMUM OF 4' FEET LONG AND FOLLOW THE APPROVED CARPENTRY PRACTICES. DISTANCES BETWEEN SPLICES SHOULD NOT BE LESS THAN 4' FEET.

STRUCTURE	SPLICE AREA	SETTING DEPTH	WIREHOLDING HT.
16' FOOT	9'-0"	3'-6"	12'-3"
20' FOOT	11'-0"	4'-0"	15'-9"

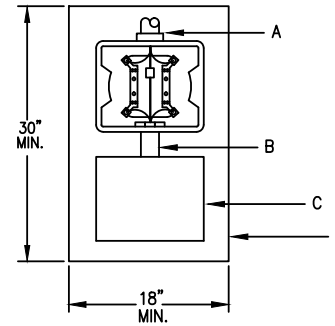
- ⑧ FINAL CONNECT SUBJECT TO LOCAL GOVERNMENTAL AUTHORITY WHERE REQUIRED.

SIDE DETAIL

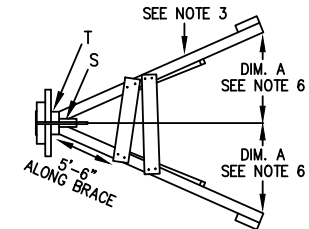
- | | | |
|--|---|---|
| <p>Ⓔ WIREHOLDER</p> <p>Ⓕ #2 ALUMINUM SERVICE ENTRANCE CABLE FOR 100 AMP. SERVICE TO BE INSTALLED BY CUSTOMER.</p> <p>Ⓖ TEMPORARY SERVICE POST OF TREATED PLANKING NAILED TOGETHER FULL LENGTH WITH 16D(3-1/2") NAILS. SEE NOTES 3 & 7</p> <p>Ⓗ CABLE CLAMPS AT 3' FOOT SPACING.</p> <p>Ⓘ USE 16D(3-1/2") NAILS AT THIS POINT</p> <p>Ⓙ METER BASE AS SHOWN IN DETAIL SEE NOTE 1 & 2</p> | <p>Ⓚ WEATHER PROOF (OR COVERED) SERVICE ENTRANCE EQUIPMENT UL LISTED WITH FUSED DISCONNECT SWITCH OR CIRCUIT BREAKER. 3 WIRE SIZE REQUIRED. MOUNTED ON A BOARD BASE.</p> <p>Ⓛ GROUNDING ELECTRODE CONDUCTOR (#4 COPPER)</p> <p>Ⓜ 1"X6" COMMON BOARD. (FOR CROSS BRACING)</p> <p>Ⓝ USE 8D(2-1/2") NAILS EITHER END</p> | <p>Ⓞ 2"X4" BRACE. SEE NOTE 3 & 6</p> <p>Ⓟ 2"X4" STAKE NAILED WITH 16D(3-1/2") NAILS.</p> <p>Ⓠ GROUNDING CLAMP</p> <p>Ⓡ 8' FOOT MIN. GROUND ELECTRODE (5/8" COPPER CLAD)</p> |
|--|---|---|

WIRING DETAIL

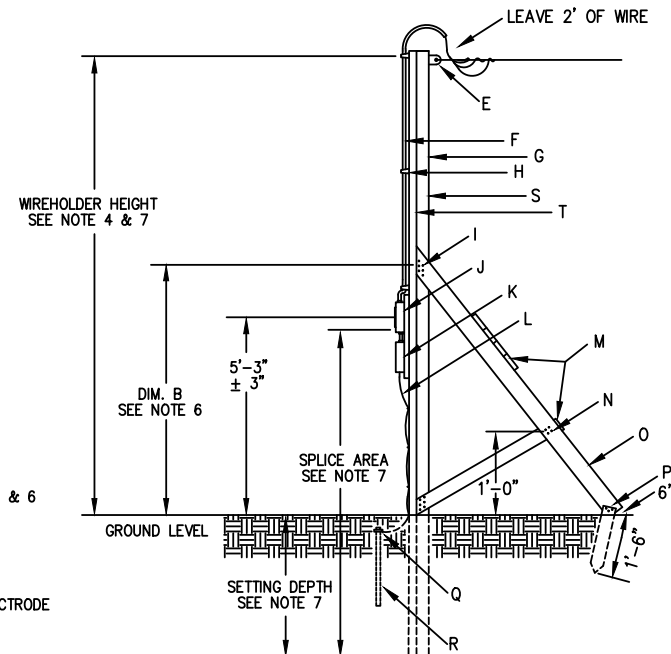
- Ⓐ WATER TIGHT SERVICE ENTRANCE CABLE CONNECTOR
- Ⓑ BOX CONNECTORS TO UTILIZE INSULATED BUSHINGS RINGS.
- Ⓒ SERVICE TO BE PROTECTED BY GFI EQUIPMENT INSTALLED BY CUSTOMER.
- Ⓓ 1/2" MIN. BOARD (TREATED)



WIRING DETAIL



TOP DETAIL



SIDE DETAIL

DATE: 09/20/05
CHK BY: SWW
DWN BY: JME
SCALE: NA
NOTES:

OVERHEAD TEMPORARY SERVICE INSTALLATION

